

TUNG-SOL**CATHODE RAY**

COATED UNIPOTENTIAL CATHODE

HEATER

6.3 VOLTS 0.6 AMP.

AC OR DC

ANY MOUNTING POSITION

GLASS BULB

SMALL SHELL DUODECAL 5 PIN BASE

THE 19DP4A IS A GLASS ENVELOPE, MAGNETIC DEFLECTION AND MAGNETIC FOCUS DIRECT-VIEW PICTURE TUBE INTENDED FOR USE IN TELEVISION RECEIVERS. FEATURES OF THIS TUBE ARE THE GREY NEUTRAL-DENSITY FACEPLATE FOR INCREASED PICTURE CONTRAST AND DETAIL UNDER HIGH AMBIENT LIGHT CONDITIONS AND AN ELECTRON GUN DESIGNED TO BE USED WITH AN EXTERNAL ION-TRAP MAGNET FOR THE PREVENTION OF ION-SPOT BLEMISH. AN EXTERNAL CONDUCTIVE COATING WHEN GROUNDED SERVES AS A HIGH VOLTAGE FILTER CAPACITOR.

DESCRIPTION

FLUORESCENCE AND PHOSPHORESCENCE	WHITE
PERSISTENCE	MEDIUM
DEFLECTING AND FOCUSING METHOD	MAGNETIC
DEFLECTION ANGLE (APPROX.)	66 DEGREES
ION-TRAP	MAGNETIC
COATING	CONDUCTIVE
BULB CONTACT	RECESSED SMALL CAVITY CAP
RASTER SIZE	11 3/4" X 15 3/4"

RATINGS

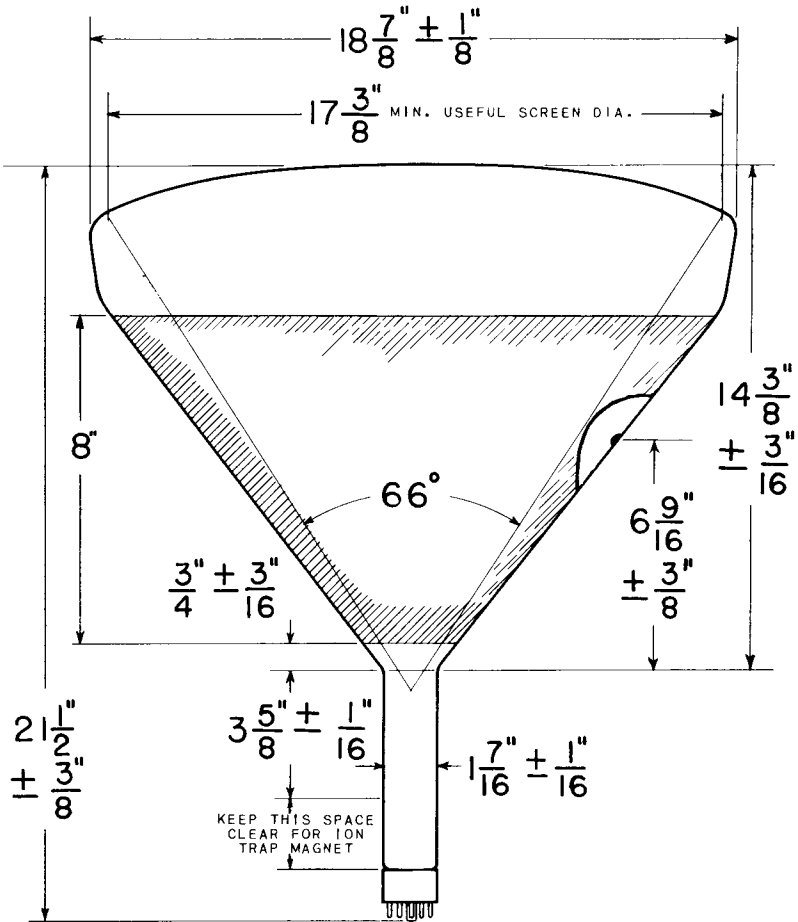
INTERPRETED ACCORDING TO RMA STANDARD MB-210

HEATER VOLTAGE	6.3	VOLTS
HEATER CURRENT	0.6	AMP.
MAXIMUM ANODE VOLTAGE	19 000	VOLTS
MAXIMUM GRID #2 VOLTAGE	410	VOLTS
MAXIMUM GRID #1 VOLTAGE:		
NEGATIVE BIAS VOLTAGE	125	VOLTS
POSITIVE BIAS VOLTAGE	0	VOLTS
POSITIVE PEAK VOLTAGE	2	VOLTS
PEAK HEATER-CATHODE VOLTAGE:		
HEATER NEGATIVE WITH RESPECT TO CATHODE:		
DURING EQUIPMENT WARM-UP PERIOD		
NOT EXCEEDING 15 SECONDS	410	VOLTS
AFTER EQUIPMENT WARM-UP PERIOD	125	VOLTS
HEATER POSITIVE WITH RESPECT TO CATHODE	125	VOLTS
MAXIMUM GRID #1 CIRCUIT RESISTANCE	1.5	MEG OHMS

TYPICAL OPERATING CONDITIONS AND CHARACTERISTICS

ANODE VOLTAGE	13 000	VOLTS
GRID #2 VOLTAGE	250	VOLTS
GRID #1 VOLTAGE (VISUAL EXTINCTION OF UNDEFLECTED FOCUSED SPOT)	-26 to -63	VOLTS
FOCUSING COIL CURRENT (APPROX.)	146	MA.
ION-TRAP CURRENT (APPROX.)	105	MA.

TUNG-SOL



- 1. HEATER
- 2. GRID NO. 1
- 10. GRID NO. 2
- 11. CATHODE
- 12. HEATER
- CAP ANODE

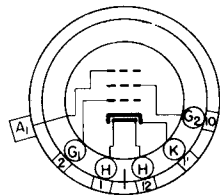


PLATE
 2562
 JAN. 1
 1951